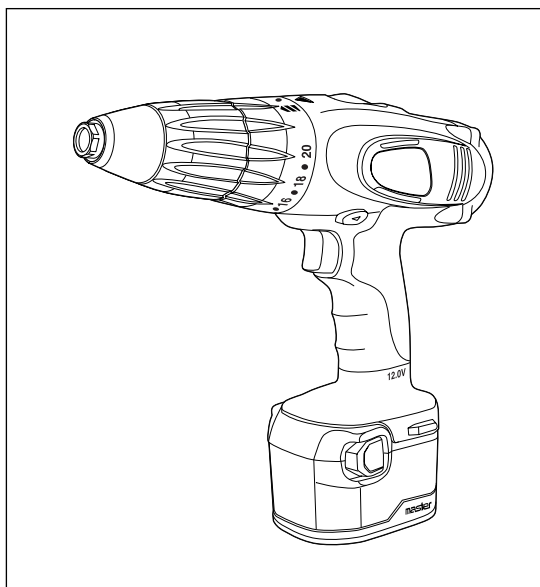


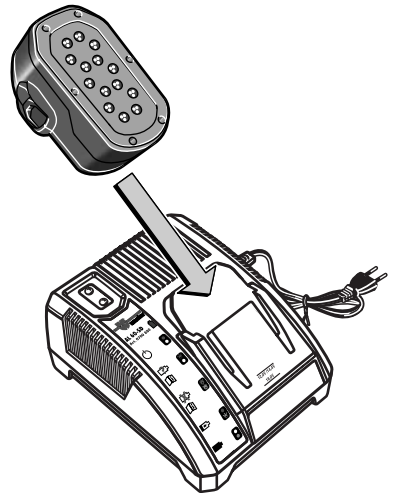
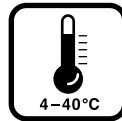
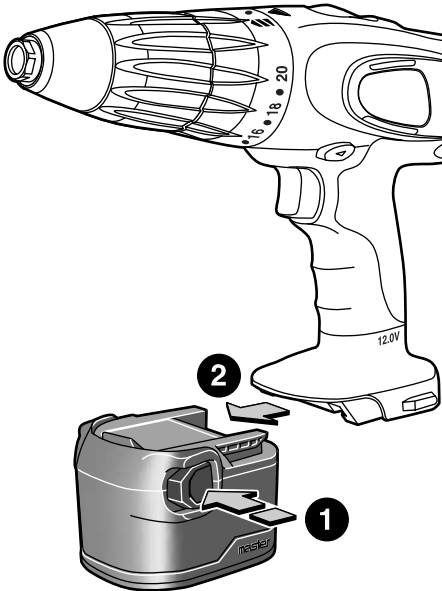
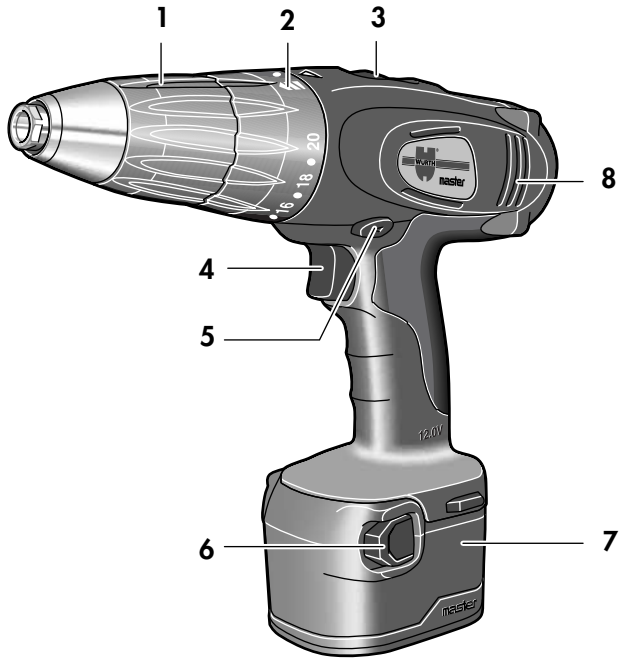


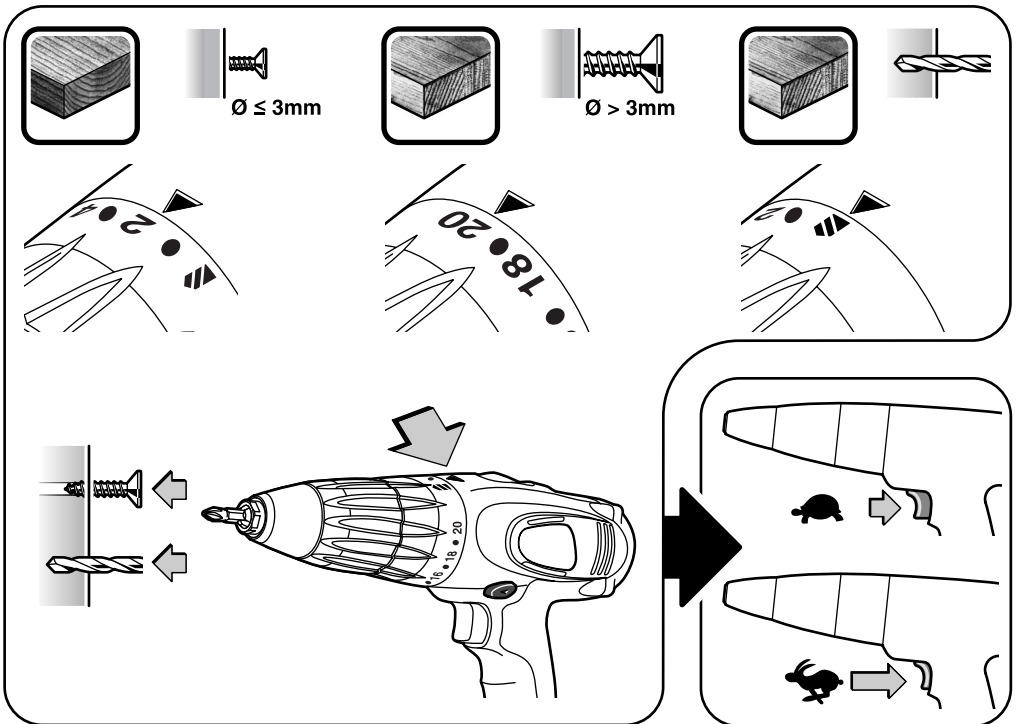
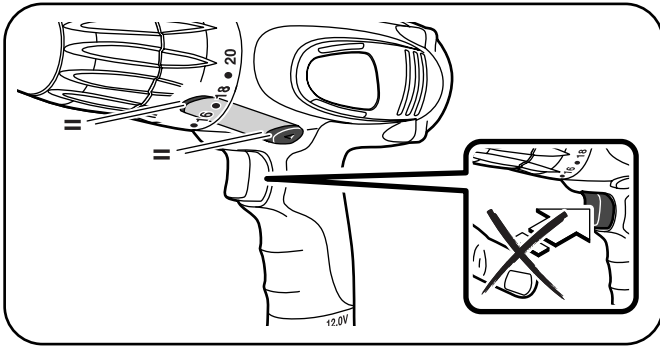
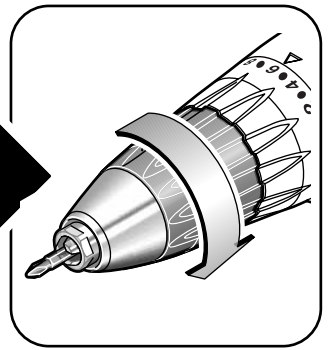
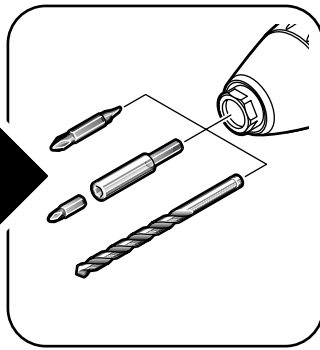
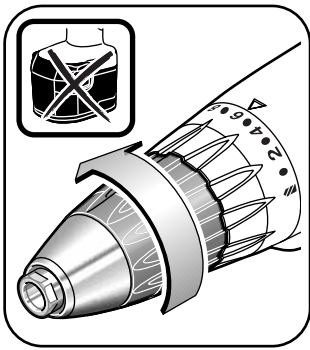
master

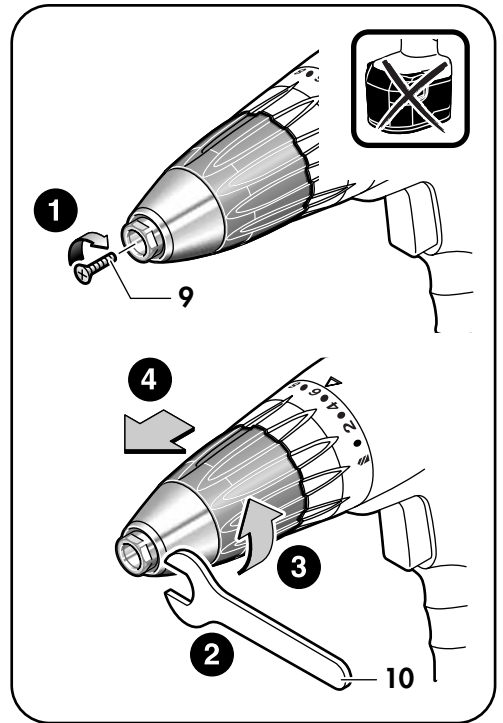
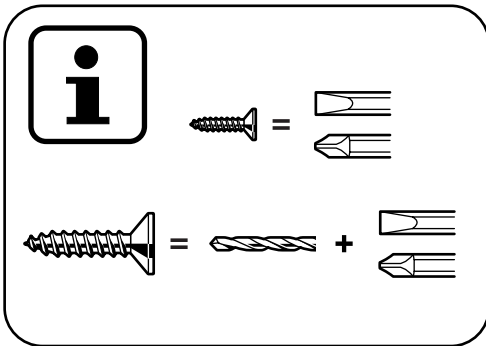
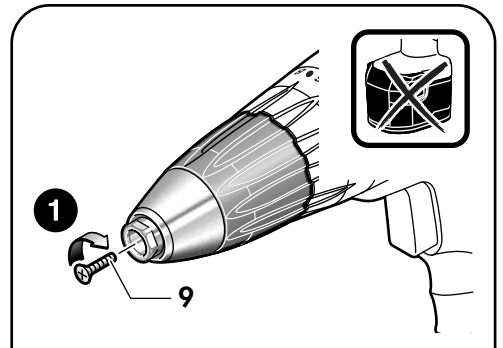
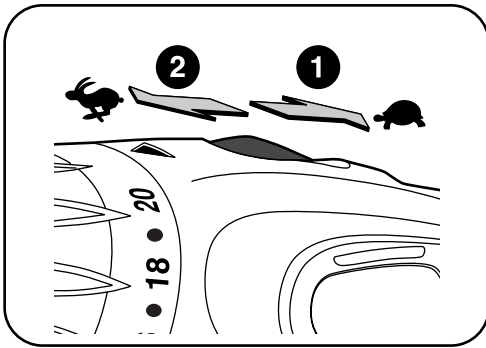
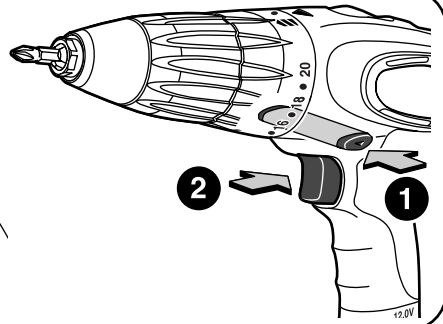
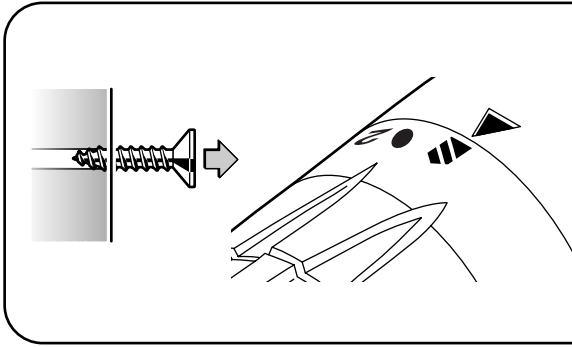
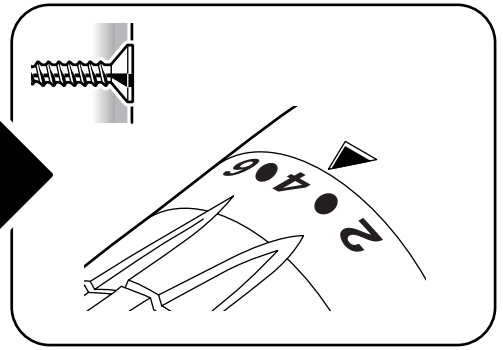
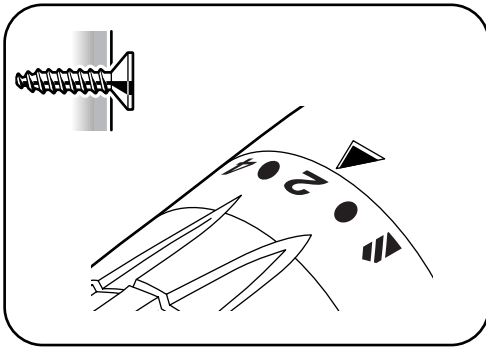
BS 12-A solid

Bedienungsanleitung
Operating Instructions
Istruzioni d'uso
Notice d'utilisation
Instrucciones para el manejo
Instruções de utilização
Gebruiksaanwijzing
Betjeningsvejledning
Bruksanvisning
Käyttöohje
Bruksanvisning
Οδηγίες χειρισμού
Kullanım kılavuzu
Instrukcja obsługi
Kezelési Utasítás
Návod k obsluze
Návod na obsluhu
Instrucțiuni de utilizare
Navodila za uporabo
Ръководство на потребителя
Kasutusjuhend
Vartojimo informacija
Ekspluatācijas instrukcija
Руководство по эксплуатации











Working safely with this machine is possible only when the operating and safety information are read completely and the instructions contained therein are strictly followed.

- ❑ The machine must not be damp and must also not be operated in damp surroundings.
- ❑ Be careful of hidden electrical lines or gas and water pipes. Check the working area, e. g., with a metal detector.
- ❑ Keep long hair away from the machine. Do not operate while wearing loose clothing.
- ❑ Caution: The machine can begin to operate immediately when the On/Off switch **4** is activated. When replacing drill bit or battery, as well as for transport and storage, always set the rotation direction switch **5** to the centre position (lock-off).
- ❑ Use a clamping device to secure the workpiece before drilling.
- ❑ When working, always provide for a secure stance.
- ❑ Be careful when screwing in long screws; danger of sliding off.
- ❑ For screws, work using with a low speed.
- ❑ When the battery is outside the battery charger, cover battery terminals to avoid short circuits from metal objects. Danger of fire and explosion!

- ❑ Do not open the battery; protect against impact, heat and fire. Danger of explosion!
- ❑ Before each use, check the machine and battery. If damage is detected, do not use the machine. Have repairs performed only by a qualified technician. Never open the machine yourself.
- ❑ Battery and charger are specifically designed for use in conjunction with one another. Charging should be performed exclusively with a Würth rapid charger.
- ❑ The rated voltage of the battery must correspond with the specifications on the machine.
- ❑ Convince yourself before using that the battery is securely seated in the machine.
- ❑ Always remove battery before working on machine.
- ❑ Allow warm battery to cool before charging.
- ❑ Under extreme conditions it is possible that some battery fluid can escape; this, however, does not indicate any defect. Should battery fluid contact the skin, wash the affected parts of the skin immediately with soap and water. Neutralise the battery fluid with vinegar or lemon juice. Should any battery fluid get into the eye, rinse the eye for at least 10 minutes with fresh water. Consult a doctor immediately!
- ❑ Use only original Würth parts and accessories.



For further notes on safety refer to enclosed sheet.

Operating Controls

- 1 Keyless chuck
- 2 Setting ring for torque
- 3 Speed selector
- 4 On/Off switch/speed control
- 5 Rotation direction switch with lock-off
- 6 Contact surface
- 7 Battery
- 8 Ventilation slots
- 9 Securing screw
- 10 Wrench

Not all of the accessories illustrated or described are included as standard delivery.

Noise/Vibration Information

Measured values determined according to EN 60 745. Typically the A-weighted noise levels of the machine are: sound pressure level 78 dB (A); sound power level 89 dB (A).

Wear hearing protection!

The typical hand-arm vibration is below 2.5 m/s².

Product Specifications

Battery-operated Screw driving drill	BS 12-A solid
Part number	0700 183 X
Rated power	300 W
No-load speed	
Speed I	0–400 rpm
Speed II	0–1600 rpm
max. torque	45 Nm
Drill dia. Steel	13 mm
Drill dia. Aluminium	16 mm
Drill dia. Wood	38 mm
Screw dia., (max.)	
– Wood	M 8
– Steel	M 6
– Aluminium	M 6
Thread of work spindle	1/2" - 20 UNF
Weight approx. (without Battery)	1.75 kg
Battery (SD)	NiCd
Part number	0700 980 320
Rated Voltage	12 V
Capacity	2.0 Ah
Weight approx.	0.76 kg

Intended Use

The cordless drill/screwdriver can be used for drilling wood, metal and plastics and also as a screw driver. For damage caused by usage other than intended, the user is responsible.

Maintenance and Care

Always remove battery before working on machine.

- Always keep the machine and the ventilation slots clean.

The unit should be stored in a dry place where it is protected against freezing.

If the unit should happen to fail despite the care taken in manufacture and testing, repair should be carried out by an authorised customer services agent for Würth power tools.

For all correspondence and spare parts orders, always include the 8-digit order number of the unit!

Environmental Protection



Recycle raw materials instead of disposing as waste.

The machine, accessories and packaging should be sorted for environmental-friendly recycling.

Defective or worn out batteries must be recycled according to the guidelines 91/157/EEC.

Do not throw the battery into the household waste, into fire or water.

Do not open the machine or batteries! Dispose of the batteries and machine by means of the collection facilities provided.

Warranty

For this Würth machine, we provide a warranty in accordance with statutory/country-specific regulations from the date of purchase (proof of purchase by invoice or delivery note). Damage that has occurred will be corrected by replacement or repair.

Damage caused by normal wear, overloading or improper handling is excluded from the warranty.

Claims can be accepted only when the machine is presented undisassembled to a Würth branch office or a Würth field service employee.

CE Declaration of Conformity

We declare under our sole responsibility that this product is in conformity with the following standards or standardization documents: EN 60 745, EN 55 014, EN 61 000, EN 50 366 according to the provisions of the regulations 73/23/EEC, 89/336/EEC, 98/37/EC.

CE 04

Adolf Würth GmbH & Co. KG

M. Wölflé

R. Bauer

